

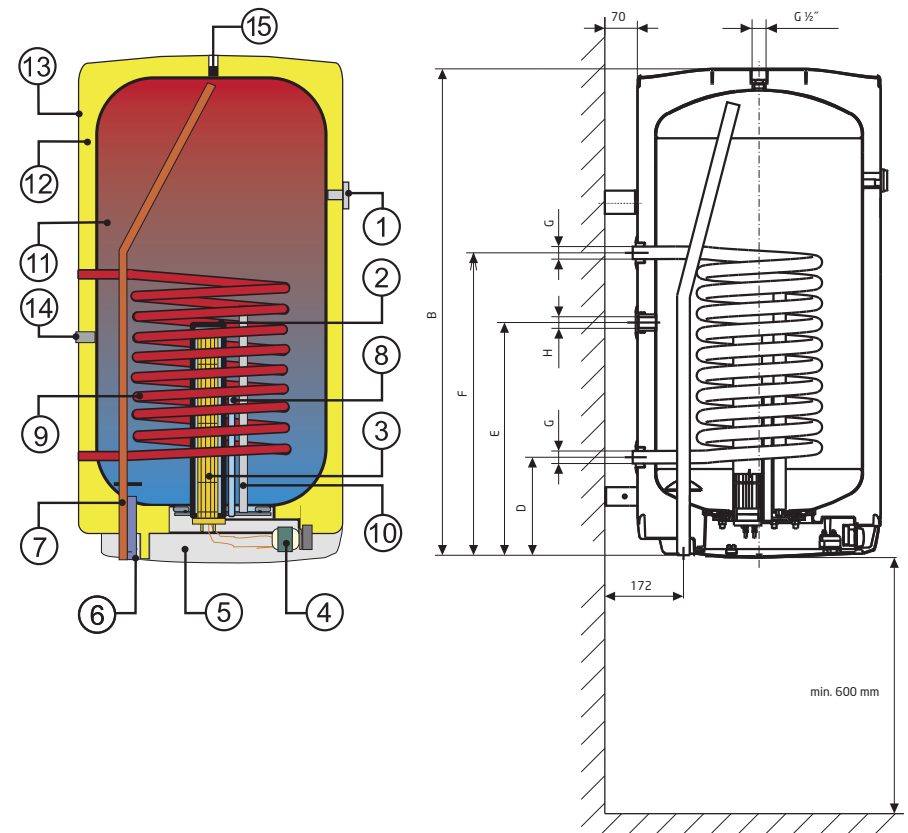
OKC 80  
 OKC 80 NTR/Z  
 OKC 100  
 OKC 125  
 OKC 160  
 OKC 100/1 m<sup>2</sup>  
 OKC 125/1 m<sup>2</sup>  
 OKC 160/1 m<sup>2</sup>  
 OKC 100 NTR/Z  
 OKC 125 NTR/Z  
 OKC 160 NTR/Z

## COMBINED AND INDIRECT HEATING STORAGE WATER HEATERS

Wall-mounted, vertical - exchanger 0,41 m<sup>2</sup>, exchanger 0,68 m<sup>2</sup>, exchanger 1 m<sup>2</sup>

**COMBINED** water storage heater for vertical mounting

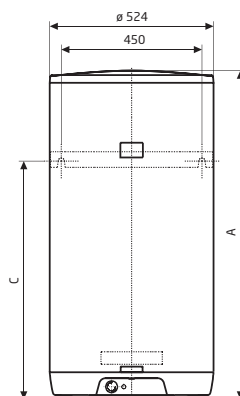
- 1 Thermometer
- 2 Heating element well
- 3 **DRY CERAMIC HEATING ELEMENT - not for NTR/Z**
- 4 Operating thermostat with external control  
Safety thermostat
- 5 Cover for electrical equipment
- 6 Filling pipe for cold water
- 7 Discharge pipe for hot water
- 8 Operating and safety thermostat well
- 9 Tubular exchanger
- 10 Mg anode
- 11 Enamelled steel vessel
- 12 Polyurethane CFC-free insulation - 42 mm
- 13 Water heater jacket
- 14 Circulation - only in water heaters with a 1m<sup>2</sup> exchanger
- 15 Another hot water outlet (circulation)



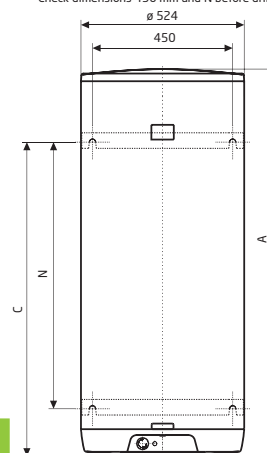
Type	OKC 80 OKC 80 NTR/Z	OKC 100 OKC 100/1 m <sup>2</sup> OKC 100 NTR/Z	OKC 125 OKC 125/1 m <sup>2</sup> OKC 125 NTR/Z	OKC 160 OKC 160/1 m <sup>2</sup> OKC 160 NTR/Z
A	736	881	1046	1235
B*	731	876	1041	1230
C	615	765 / 636	765 / 801	1005
D	211	211 / 261	211 / 261	211 / 261
E	-	- / 551	- / 551	- / 831
F	501	651 / 701	651 / 701	651 / 701
G	G ¾"	G ¾" / G1"	G ¾" / G1"	G ¾" / G1"
H	-	- / G ¾"	- / G ¾"	- / G ¾"
N	-	-	-	720 / 815

\*Distance from the upper edge of the heater to the end of the water inlet and outlet pipes. Check dimensions 450 and N before drilling. Values stated after the slash are for heaters with exchanger 1 m<sup>2</sup>.

Upper hinge and mounting  
80 l, 100 l, 125 l - 2 anchor screws



Upper hinge and lower hinge 160 l,  
4 anchor screws  
Check dimensions 450 mm and N before drilling.



Type	OKC 80 OKC 80 NTR/Z	OKC 100 OKC 100/1 m <sup>2</sup> OKC 100 NTR/Z	OKC 125 OKC 125/1 m <sup>2</sup> OKC 125 NTR/Z	OKC 160 OKC 160/1 m <sup>2</sup> OKC 160 NTR/Z
Volume [l]	75	95	120	147
Max. operating overpressure in the tank [MPa]	0.6	0.6	0.6	0.6
Max. provozní přetlak ve exchangeru [MPa]	1	1	1	1
Voltage [V/Hz]*	1 PE-N~230/50	1 PE-N~230/50	1 PE-N~230/50	1 PE-N~230/50
Connected load [kW] *	2	2	2	2
Electrical protection	IP 45	IP 45	IP 45	IP 45
Maximum HUW temperature [°C]	80	80	80	80
Recommended HUW temperature [°C]	60	60	60	60
Height x Diameter [mm]	736x524	881x524	1046x524	1235x524
Maximum weight of heater without water [kg]	42/39	52/58/56	58/64/62	66/72/70
Heating period with ele. en. from 10 °C to 60 °C [h]*	2.5	3	3.8	5
Heat loss [kWh/24h]/energy efficiency class	0.71/C	0.88/C	1.09/C	1.39/C

\* These lines do not apply to NTR/Z types, which do not have a heating element.

Type	OKC 80 OKC 80 NTR/Z	OKC 100	OKC 125	OKC 160
Exchanger heating surface [m <sup>2</sup> ]	0.41	0.68	0.68	0.68
Rated exchanger output with a heating water temperature of 80 °C and flow of 720 l/h [kW]	9	17	17	17
Heating period with exchanger from 10 °C to 60 °C [min]	32	23	28	35
Rated exchanger output with a heating water temperature of 80 °C and flow of 310 l/h [kW]	7	9	9	9
Heating period with exchanger from 10 °C to 60 °C [min]	50	48	55	75

Type	OKC 100/1 m <sup>2</sup> OKC 100 NTR/Z	OKC 125/1 m <sup>2</sup> OKC 125 NTR/Z	OKC 160/1 m <sup>2</sup> OKC 160 NTR/Z
Exchanger heating surface [m <sup>2</sup> ]	-	1	1
Rated exchanger output with a heating water temperature of 80 °C and flow of 720 l/h [kW]	-	24	24
Heating period with exchanger from 10 °C to 60 °C [min]	-	14	17

OKC and OKC/1m<sup>2</sup> series heaters can be made to order with a heating element with 4000 W and 3 PE-N 400V/50Hz connection. Heating time is decreased to half the value stated in the table.



OKC 180  
 OKC 200  
 OKC 180/1 m<sup>2</sup>  
 OKC 200/1 m<sup>2</sup>  
 OKC 200 NTR/Z

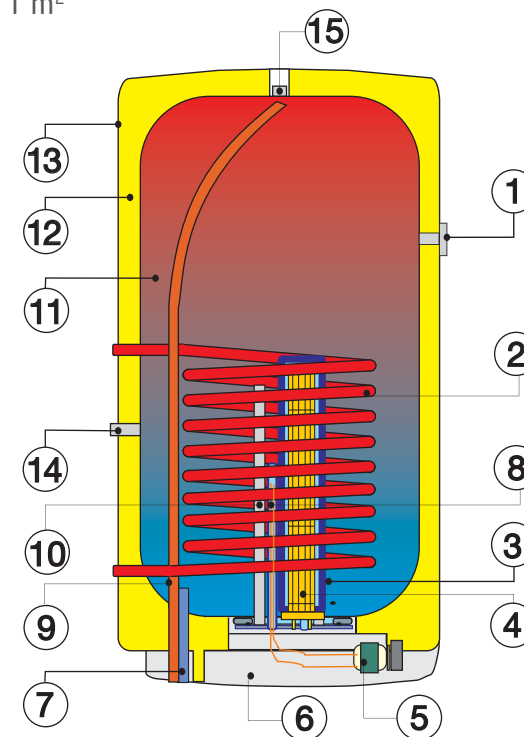


## COMBINED AND INDIRECT HEATING STORAGE WATER HEATERS

Wall-mounted, vertical - exchanger 0,68 m<sup>2</sup>, exchanger 1 m<sup>2</sup>

**COMBINED** water storage heater for vertical mounting

- 1 Thermometer
- 2 Spiral heat exchanger
- 3 Heating element well - not for NTR/Z
- 4 **DRY CERAMIC HEATING ELEMENT - not for NTR/Z**
- 5 Operating thermostat with external control  
Safety thermostat
- 6 Cover for electrical equipment
- 7 Filling pipe for cold water
- 8 Operating and safety thermostat well
- 9 Discharge pipe for hot water
- 10 Mg anode
- 11 Enameled steel vessel
- 12 Polyurethane CFC-free insulation - 42 mm
- 13 Water heater jacket
- 14 Circulation - only in water heaters with a 1m<sup>2</sup> exchanger
- 15 Another hot water outlet (circulation)



Type	OKC 180	OKC 180/1 m <sup>2</sup>	OKC 200	OKC 200/1 m <sup>2</sup> OKC 200 NTR/Z
A	1187	1187	1287	1287
B*	1182	1182	1282	1282
C	793	793	793	793
D	584	584	584	584
E	685	685	685	685
F	-	895	-	895
G	G3/4"	G1"	G3/4"	1"
H	-	G3/4"	-	3/4"
I	245	245	245	245
J	600	600	600	600

\*Distance from the upper edge of the heater to the end of the water input and outlet pipes

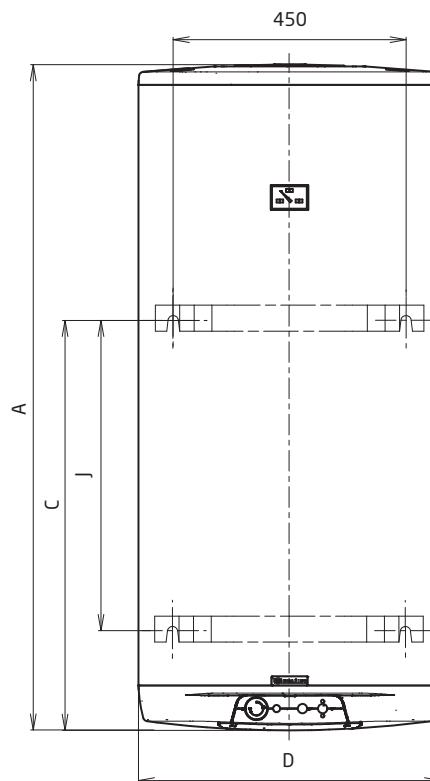
Type	OKC 180 OKC 180/1 m <sup>2</sup>	OKC 200 OKC 200/1 m <sup>2</sup> OKC 200 NTR/Z
Volume [l]	175	195
Max. operating overpressure in the tank [MPa]	0.6	0.6
Max. operating overpressure in the exchanger [MPa]	1	1
Voltage [V/Hz] *	1 PE-N~230/50	1 PE-N~230/50
Connected load [kW] *	2.2	2.2
Electrical protection	IP 45	IP 45
Maximum HUW temperature [°C]	80	80
Recommended HUW temperature [°C]	60	60
Height x Diameter [mm]	1187x584	1287x584
Maximum weight of heater without water [kg]	76/82	81/88/87
Heating period with ele. en. from 10 °C to 60 °C [h]*	5	5,5
Heat loss [kWh/24h]/energy efficiency class	1.39/C	1.4/B

\* These lines do not apply to NTR/Z types, which do not have a heating element.

Type	OKC 180	OKC 200
Exchanger heating surface [m <sup>2</sup> ]	0.68	0.68
Rated exchanger output with a heating water temperature of 80 °C and flow of 720 l/h [kW]	17	17
Heating period with exchanger from 10 °C to 60 °C [min]	40	45
Rated exchanger output with a heating water temperature of 80 °C and flow of 310 l/h [kW]	9	9
Heating period with exchanger from 10 °C to 60 °C [min]	77	86

Type	OKC 180/1 m <sup>2</sup>	OKC 200/1 m <sup>2</sup> OKC 200 NTR/Z
Exchanger heating surface [m <sup>2</sup> ]	1	1
Rated exchanger output with a heating water temperature of 80 °C and flow of 720 l/h [kW]	24	24
Heating period with exchanger from 10 °C to 60 °C [min]	26	28

OKC and OKC/1 m<sup>2</sup> series heaters can be made to order with a heating element with 4000 W and 3 PE-N 400V/50Hz connection. Heating time is decreased to half the value stated in the table.



Upper hinge and lower hinge  
180 I, 200 I - 4 anchor screws  
Circulation - only for heaters  
with a 1 m<sup>2</sup> exchanger  
Check dimensions 450 and 600 mm  
before drilling.

